



RC Panel Pro

EN-US

Operating instructions



42,0426,0282,EA 003-22112021

Safety

⚠ WARNING!

Incorrect operation and incorrectly performed work can cause serious injury and damage to property.

All work listed in this document may only be performed by trained specialist personnel. All functions described in this document may only be used by trained specialist personnel. All work and functions described may only be performed and used once the following documents have been read and understood in full:

- ▶ This Document
- ▶ All Operating Instructions for system components, especially the safety rules

Device Concept

The remote control has the same functionality as the power source's control panel. A precise description of the possible settings can be found in the power source's Operating Instructions.

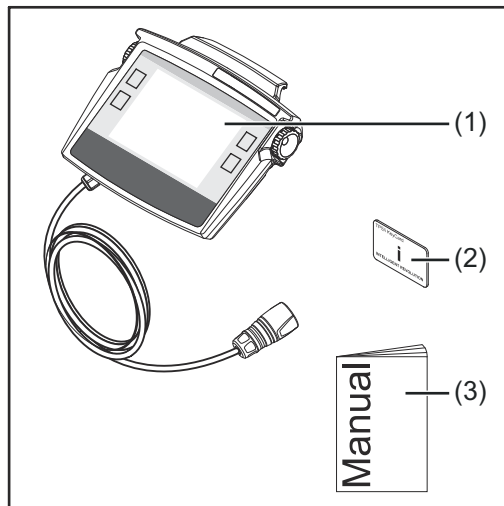
NOTE!

To be able to use the remote control, the welding system must have a TPS/i power source.

NOTE!

Because of firmware updates, certain functions may be available that are not described in these Operating Instructions or vice versa.

Scope of Supply



- (1) Remote control
- (2) TPS/i Key Card
- (3) This document

Technical data

Supply voltage	+ 24 V DC
Protection class	IP 44
Marks of conformity	CE, FCC

Dimensions (l x w x h)

260 x 220 x 60 mm
10.24 x 8.66 x 2.36 in.

Notes on Radio Certification

The device is equipped with a wireless module.

Wireless modules in the USA require FCC certification:

FCC

This device complies with Section 15 of the FCC Rules. Operation is subject to the following conditions:

- (1) This device may not cause interference; and
- (2) This device must accept any interference, including interference that may cause undesired operation of the device.

FCC ID: QKWSPB209A

Industry Canada RSS

This device complies with Industry Canada license-exempt RSS standards. Operation is subject to the following conditions:

- (1) This device may not cause interference; and
- (2) This device must accept any interference, including interference that may cause undesired operation of the device.

IC: 12270A-SPB209A

Unless otherwise expressly permitted by the manufacturer, changes or modifications to the wireless module are not allowed and lead to a loss of the right of use of the device by the user.

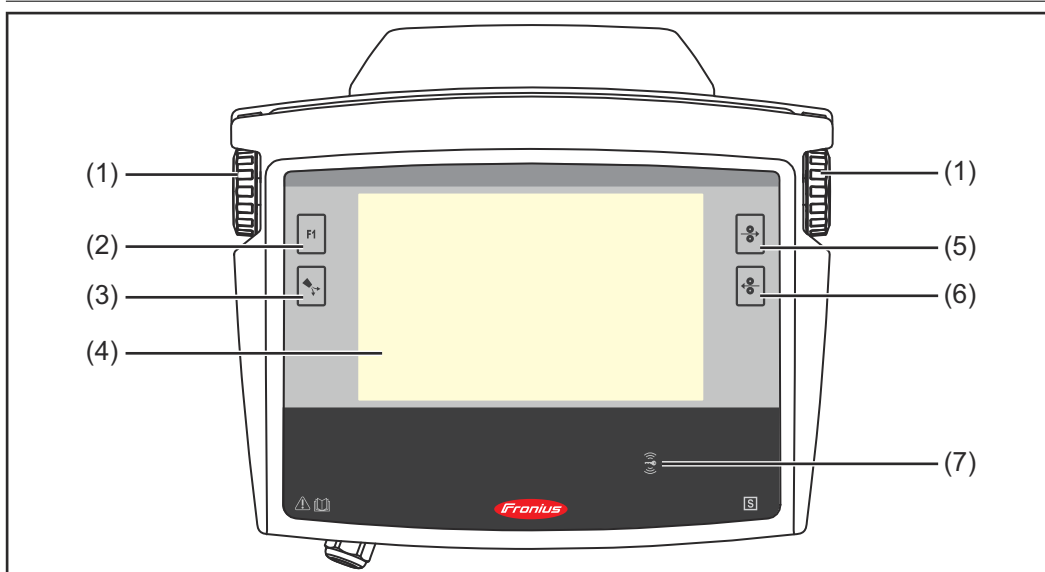
NOTE!

This device has been tested and meets the limit values for a Class A digital device as per Section 15 of the FCC Rules.

These limit values are designed to provide adequate protection against harmful interference when the device is operated in a commercial environment. This device generates, uses and can emit high-frequency energy, and if it is not installed and used as per the Operating Instructions, it may cause harmful interference to wireless communication. Operating this device in a residential area may lead to harmful interference, which the user must rectify at their own cost

Controls, connections and indicators

Keys and Symbols



- (1) **Control dial with rotary/push button function**
For selecting elements, setting values and scrolling through lists

- (2) **Special function button**
For selecting special functions depending on configuration

- (3) **Gas-test button**
For setting the required amount of gas on the gas pressure regulator.
After pressing the gas-test button, gas is emitted for 30 seconds. Pressing the button again ends the process early

- (4) **Touch display**

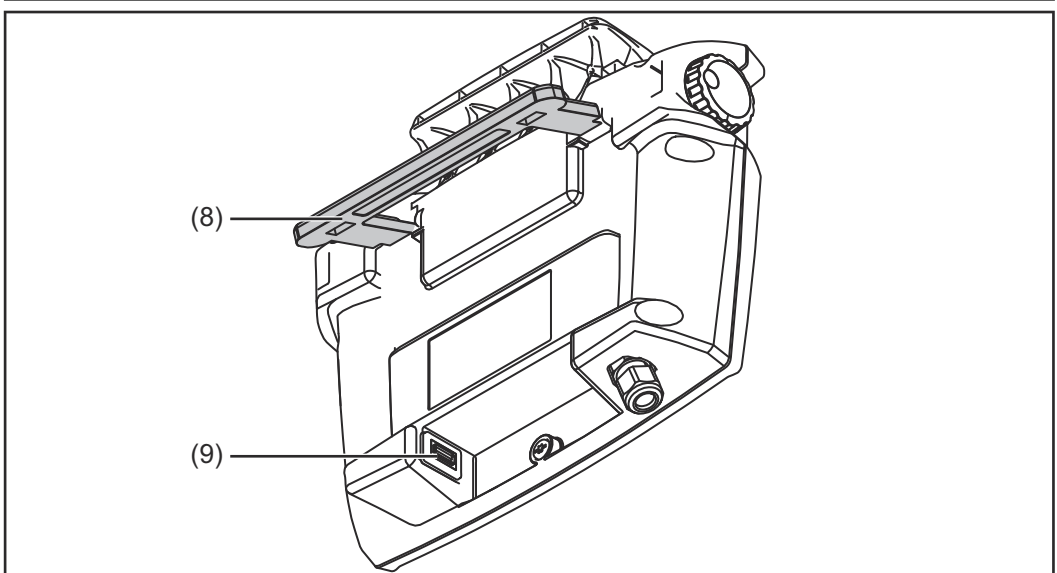
- (5) **Wire-threading button**
For threading the wire electrode into the torch hosepack without gas or current

- (6) **Wire-return button**
For retracting the wire electrode without gas or current

NOTE!

Only retract the wire electrode a small amount at a time, to avoid the wire electrode becoming entangled during retraction.

- (7) **Reading zone for TPS/i Key Card and TPS/i Key Fob**
For locking/unlocking the remote control using the TPS/i Key Card and TPS/i Key Fob



(8) Pivoting mounting and positioning bracket

(9) USB port

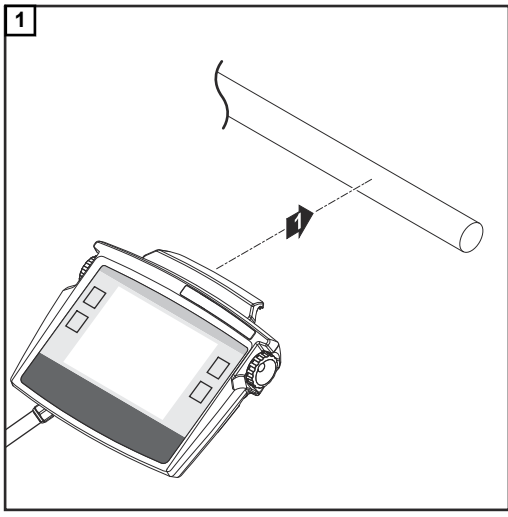
For connecting USB flash drives (service dongle, license key, etc.)

Installation and Startup

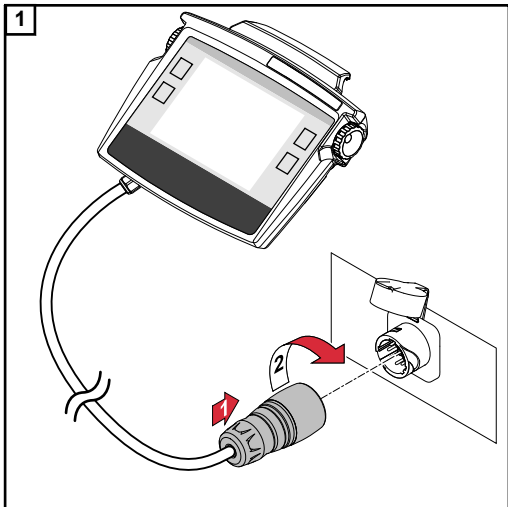
Mount Remote Control on a Handle Tube

⚠ CAUTION!

Danger of injury and damage to property due to falling remote control.
Always secure the remote control against falling.



Connect Remote Control to System Components





Fronius International GmbH

Froniusstraße 1
4643 Pettenbach
Austria
contact@fronius.com
www.fronius.com

Under www.fronius.com/contact you will find the addresses of all Fronius Sales & Service Partners and locations.